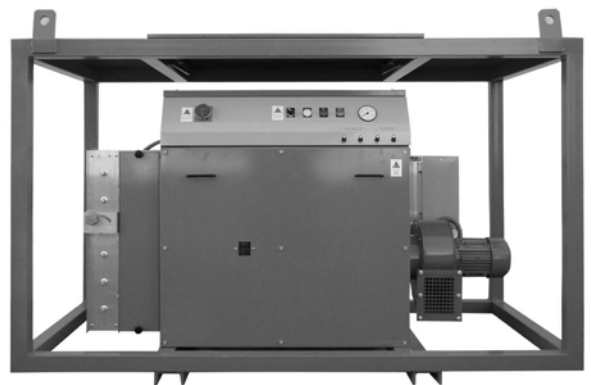




# DFRC series

Desiccant air dehumidifier





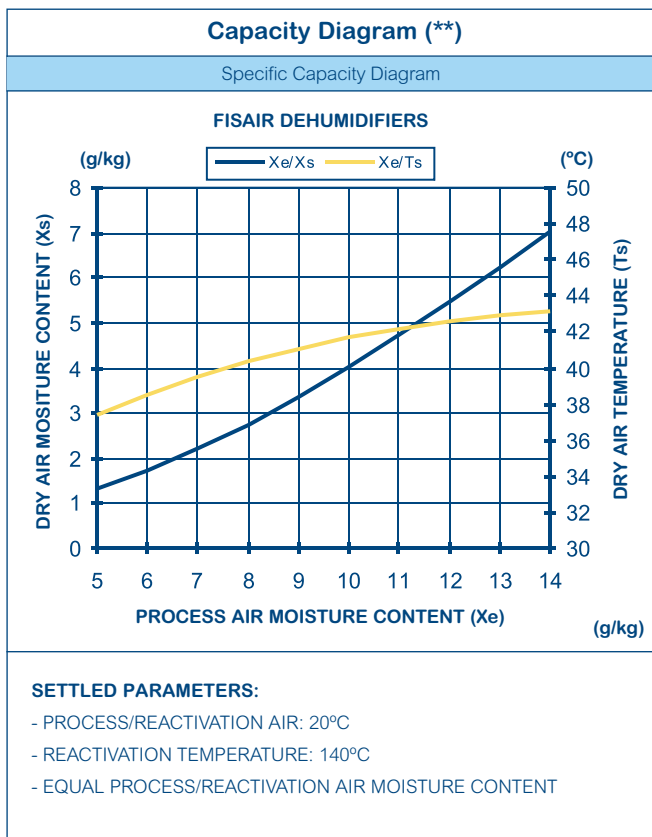
**With protective frame and roof for movable or temporary applications**

Datos técnicos serie DFRC					
Modelo	Nominal Airflow	Heater Power	Total Power	Nominal Drying Capacity (*)	Dry Air Available Pressure
	m <sup>3</sup> /h	kW	kW		Pa
DFRC-0175	1.200	13,5	15	9,1	300
DFRC-0300	2.100	22,5	25,8	14,3	700
DFRC-0400	2.700	27	31,2	18,8	800
DFRC-0500	3.600	36	39,3	24,6	150
DFRC-0650	4.500	45	49,2	29,7	400
DFRC-0651	5.000	54	60,5	36	300
DFRC-0900	6.000	63	70,7	41	600
DFRC-1100	7.500	81	90,7	52,2	500
DFRC-1300	9.000	99	109,5	64,8	300
DFRC-1700	12.000	126	144	85	800
DFRC-2100	15.000	162	181	106,2	800

(\*) Nominal capacity: 20°C y 60% H.R.

Other models capacities to be furnished under request.

(\*\*) Capacity diagram for DFRC-1300-E model with the specified settled parameters.



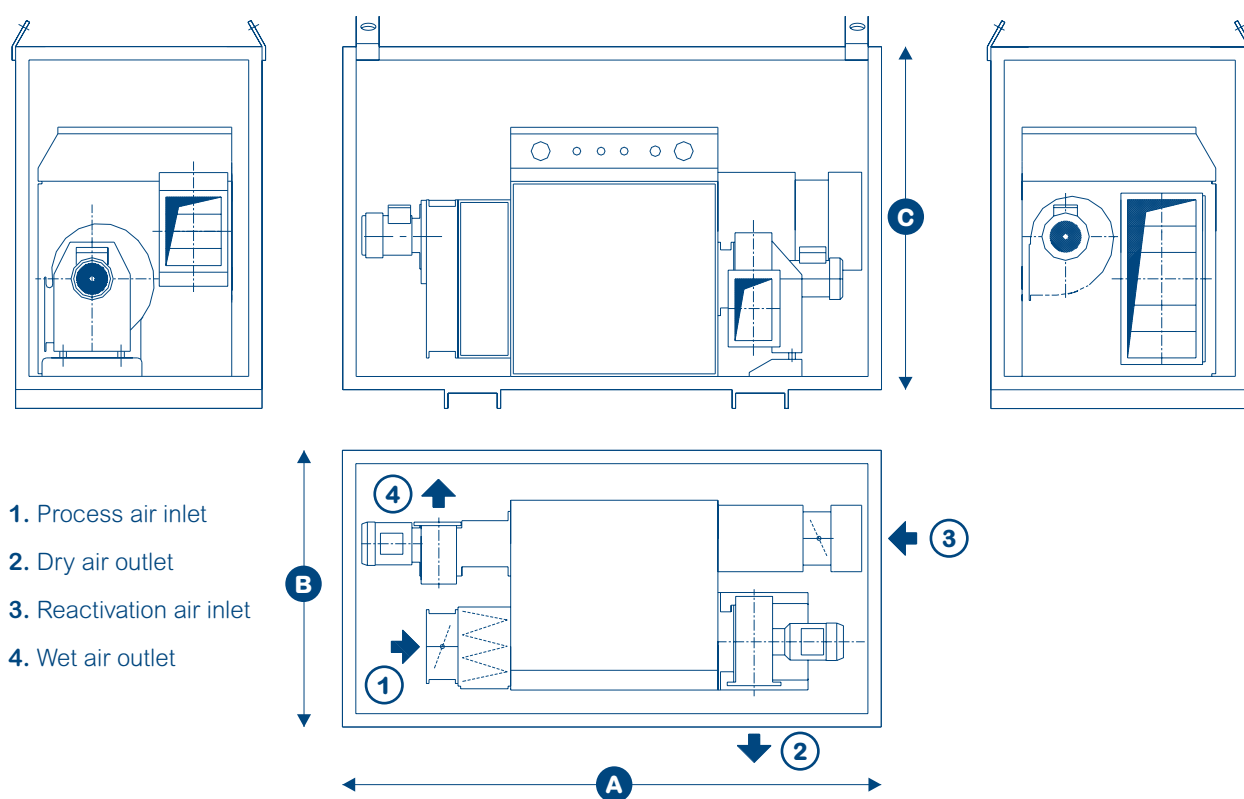
DFRC-2100

## DFRC series

Air dehumidifier by silicagel desiccant rotor, brand FISAIR, manufactured in a self-supporting and compact unit with protective frame and roof made of steel tube/sheet.

Complete with fans, airfilters, dampers for airflows regulation, reactivation air heater and electric control box for outdoor application.

Performances and power requirements as stated into front table.



1. Process air inlet
2. Dry air outlet
3. Reactivation air inlet
4. Wet air outlet

Model	Main Dimensions (mm)			
	A	B	C	Aprox. Weight (Kg)
DFRC-0175	2000	950	1215	285
DFRC-0300	2000	950	1215	300
DFRC-0400	2000	1100	1415	350
DFRC-0500	2000	1100	1415	400
DFRC-0650	2350	1300	1710	515
DFRC-0651	2350	1300	1710	525
DFRC-0900	2350	1300	1710	570
DFRC-1100	2530	1600	2035	930
DFRC-1300	2530	1600	2035	990
DFRC-1700	3300	2000	2220	1750
DFRC-2100	3300	2000	2220	1820



## DFRC series

Desiccant air dehumidifier



**fisair**  
air humidity control 

Uranio, 20, Pol. Ind. Aimayr 28330 S. Martín de la Vega MADRID (SPAIN)  
info@fisair.com www.fisair.com

